

TELECO



FLATSAT CLASSIC S M A R T 65
FLATSAT CLASSIC S M A R T 85



**Installation guide
and user manual**

GB

TELECO WARRANTY

Teleco guarantees its satellite dishes and terrestrial antennas against any material and/or construction fault and defect. The warranty offered by TELECO is limited to the free-of-charge replacement or repairing of any parts that are deemed faulty by TELECO. The warranty is applicable for a period of 3 YEARS starting from the product purchase date; however, it will only be considered valid if the Customer is able to produce a written document (invoice or tax receipt) showing the purchase date.

The following is excluded from the TELECO warranty:

- a. Damages caused by incorrect installation and/or use and/or maintenance
- b. Damages resulting from product alterations not authorised by Teleco
- c. Damages resulting from the use of spare parts different from original Teleco parts
- d. Damages resulting from repairs carried out by personnel not authorised by Teleco
- e. Normal part wear;
- f. Expenses incurred for spare parts transport between the Customer's and the service centre
- g. Damages that may occur during transport:
the Customer shall always be responsible for transport risks.

Information

Congratulations on your purchase! Flat Sat Classic Smart is among the most technologically advanced products in the field of satellite TV reception. This handbook has been prepared to provide information on how to install, use, maintain and technical specifications your Flat Sat Classic Smart.

For additional information, please contact your local dealer or directly the manufacturers:

TELECO s.p.a.
Via E. Majorana 49
48022 LUGO (RA)

Web site: www.telecogroup.com

Technical attendance: 899.899.856

TELECO .p.a. declines all responsibility for any errors contained in this manual. All the contained information are up to the dates of printing and of the above-mentioned software revisions. TELECO .p.a. reserves the right to introduce any modification made necessary by the development of its products.

TABLE OF CONTENTS

Page

Information	1
List of accessories	3
Installation of dish on motor unit.....	4
Assembly instructions	5
Control Unit Installation.....	8
Connections	9
LNB rotation	10
Tips on the best use of Flat Sat Classic Smart	12
The Smart function	13
Troubleshooting	17
Technical specifications	17
Spare Parts Table	18



Recycling: with a view to reducing disposal of waste electrical and electronic equipment as much as possible, do not throw out this end of life appliance together with other unsorted municipal waste, but make use of a recycling centre.

List of accessories

Flat Sat Classic Smart is delivered inside a cardboard case that has been specially made to protect it from knocks and pressure. The following accessories are supplied:

- 1 External motor-driven unit
- 2 65 - 85 cm dish
- 3 Universal LNB
- 3 SKEW (OPTIONAL)
- 4 Control unit
- 5 Wall-mounted Control panel
- 6 Motor connecting cable extension
- 7 Coaxial cable extension for antenna signal
- 8 Power Supply Cable
- 9 Control unit/Control panel connection cable
- 10 Waterproof box to pass leads through to interior
- 11 Heat-shrinking sheaths
- 12 Roof attachment plate
- 13 No. 4 Locknuts M6
- 14 No. 4 Screws and Locknuts – M6
- 15 User's manual



Important notice

Flat Sat Classic Smart is packaged in two separate cartons for transport reasons:

- the first package contains the driving unit with all the cables, and the Control unit.
- the second package only contains the dish.

- It is important to check that the dish has not been damaged during transport when the package is opened. In particular, check the following well:
- By resting the dish edge against a flat surface (e.g. the floor or a wall) check that it makes contact to the surface all around. If it is not so, try and make the edge level, without denting the dish, or call our After-Sales Service.



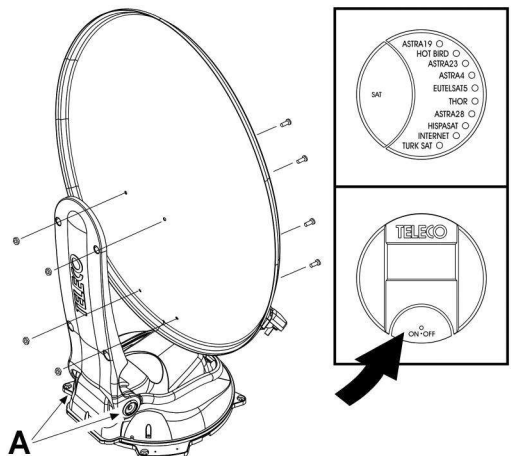
- After checking that everything is in order, install the dish on the driving unit as follows:

- Temporarily connect the Control unit to the driving unit through the grey motor cable.
- Connect the Control panel to the Control unit through the RJ45 cable.
- Power the Control unit using a battery.

Warning: For correct connection of the wiring and to prevent damage to the equipment please consult page 9 "Connections".

- Press the switch-on button on the Control panel and wait for the dish support mast to rise.
- Once you have reached the desired position, disconnect the power supply cable to switch off the Flat Sat Classic Smart.
- Secure the dish to the mast and screw down the four supplied screws.
- Turn the unit on again and wait for the antenna to close.

- Disconnect the the Control unit, the battery and install the driving unit on the vehicle**

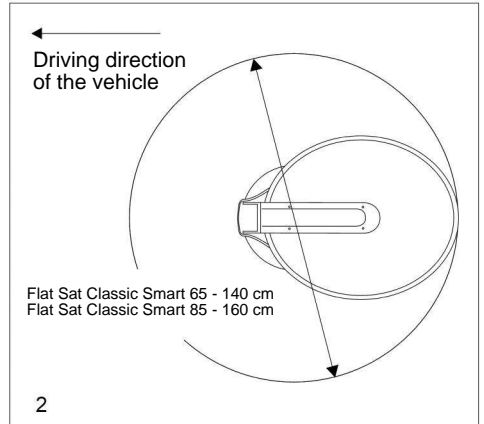
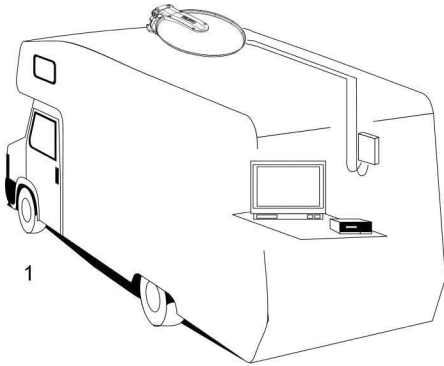


Warning:

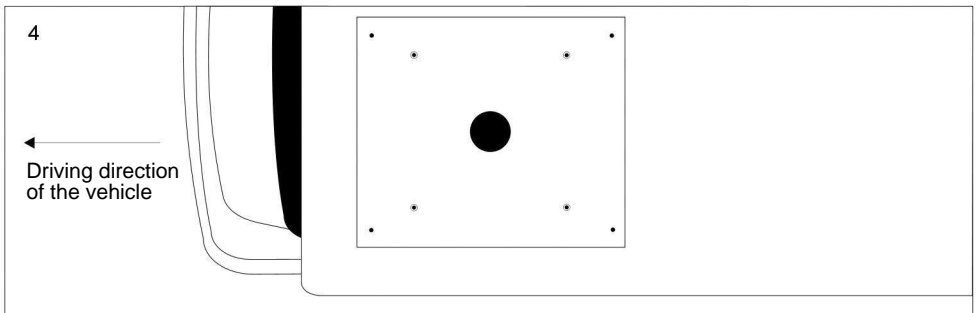
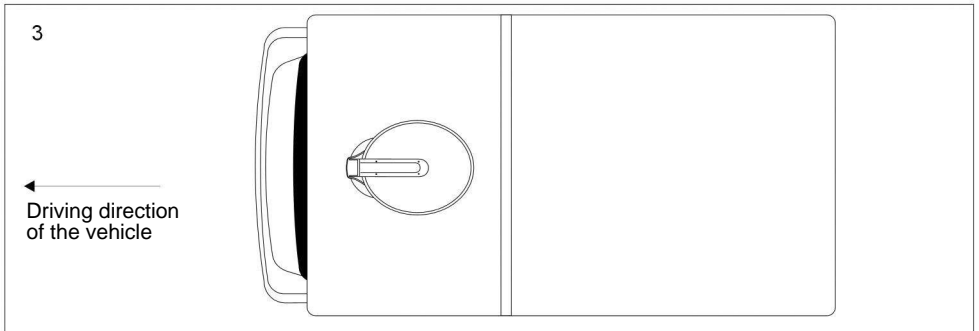
NEVER loosen the two dish arm lock screws (A) to attach the dish as this will result in loss of alignment with the antenna.

Assembly instructions

- 1) On the roof of the vehicle, choose a free area large enough to allow the antenna to revolve (Fig. 2).

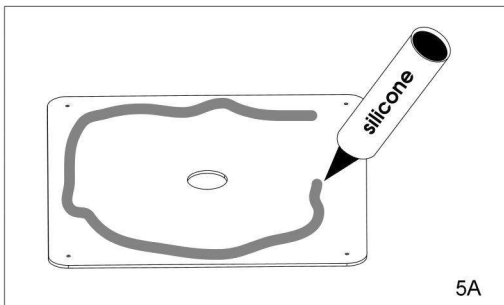
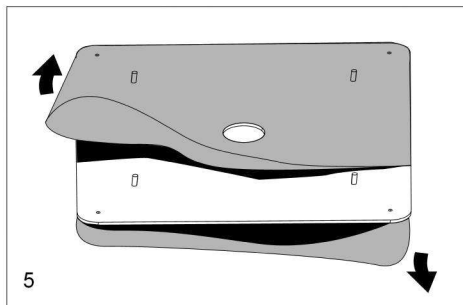


- 4) Clean the roof carefully in the area the OUTSIDE UNIT is to be installed in.
- 3) Remembering that the OUTSIDE UNIT must be fastened as shown on Fig. 3, position the base plate as shown on Fig. 4, with the short side towards the driving direction of the vehicle.



When they are present, remove the transparent films from the BASE PLATE (Fig. 5).

- 4) Clean the lower part of the BASE PLATE carefully, applying a layer of glue on the whole surface (e.g. SIKAFLEX).



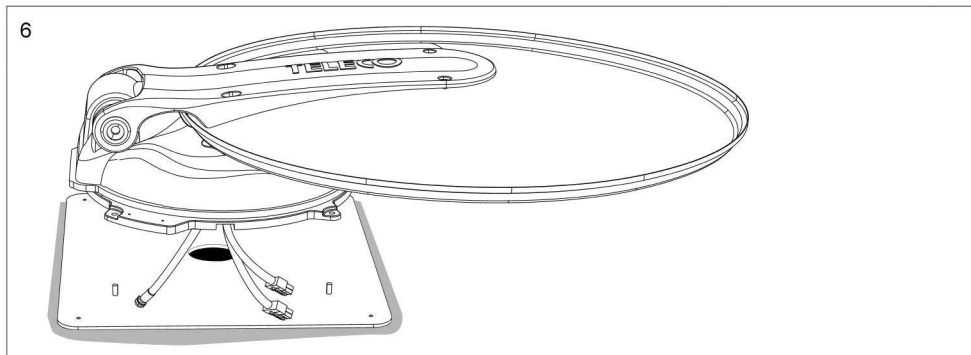
- 5) Fasten the BASE PLATE to the roof (short side towards the vehicle driving direction).

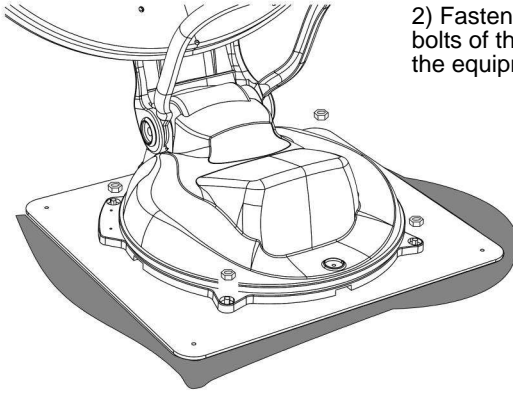
- 6) Apply a layer of silicone all around the BASE PLATE in order to make it completely waterproof (Fig. 5A)

Outside Unit Installation

- 1) Fasten the OUTSIDE UNIT on the base plate and lead the two cables through any of the 4 existing grooves, according to the position as shown on Fig. 6.

WARNING: When performing this operation, do not draw the two cables forcefully, as this might pull them out.





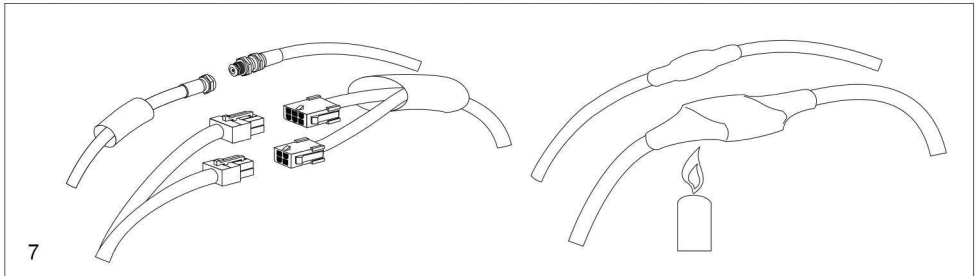
2) Fasten the external powered unit to the four stud bolts of the plate, using the four nuts supplied with the equipment.

⚠ Caution:
to ensure ideal nut tightening and prevent possible pin breaks, tighten the nut with a torque wrench set to 8 Newtons/metre

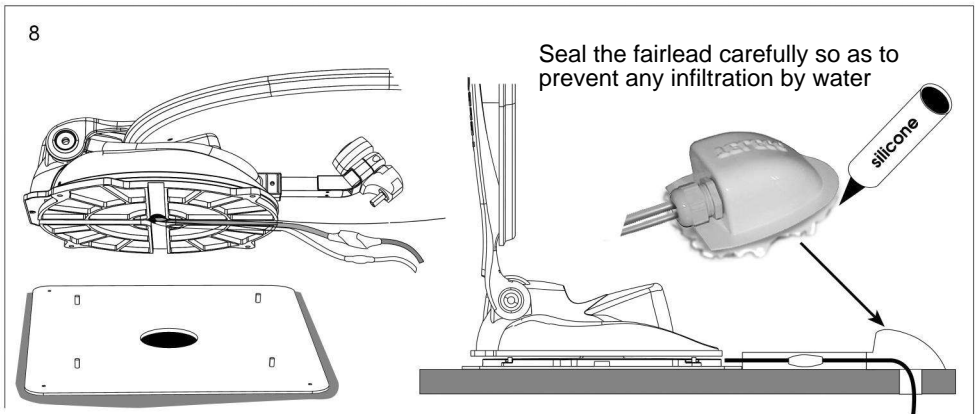
Connection with extension

WARNING The Grey and Black cables coming out of the Outside Unit are generally long enough to allow for connection to the Control unit. If it is not so, use the extension cables and perform the following operations:

- 1) Connect the two cables coming from the centre of the OUTSIDE UNIT to the two supplied extensions, waterproofing the connectors using the two pieces of heat-shrinking tube.



- 3) Accomodate the cables into a protection raceway up to the point where the cables go into the vehicle, using the suitable supplied fairlead.



Control Unit Installation

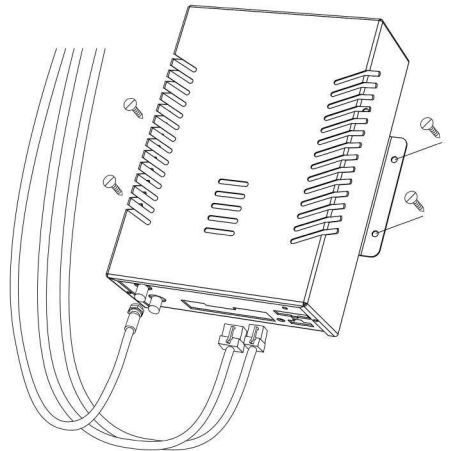
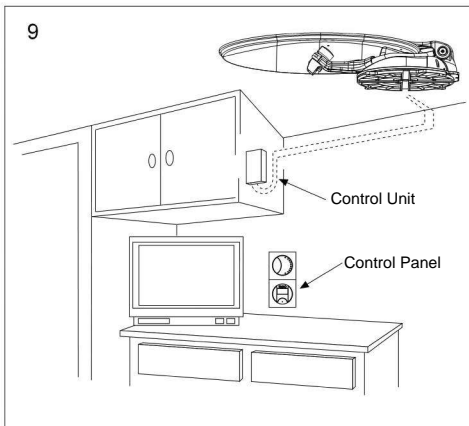
- 1) Position the Control unit in an easy accessible, ventilated compartment.

⚠ WARNING:

Do not install the Control unit in areas where liquids can be spilled, since this could cause irreparable damage.

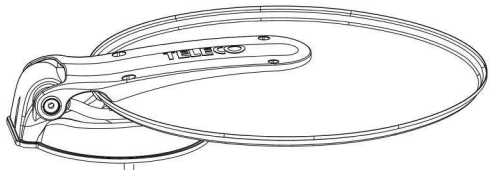
Do not install the Control unit in very small, unventilated compartments, since overheating could compromise its functionality and render the warranty null and void.

- 2) Place the Control panel comando in an easily accessible, visible position.
- 3) Install the connection cables (Grey and Black) until you reach the OUTSIDE UNIT installation area.



Note: Install the wall-mounted control unit with the (Grey and Black) connection cables bent as shown in the picture. This installation tip will prevent any condensation water from flowing down the cables into your control unit electronics - damaging it beyond repair and voiding your warranty.

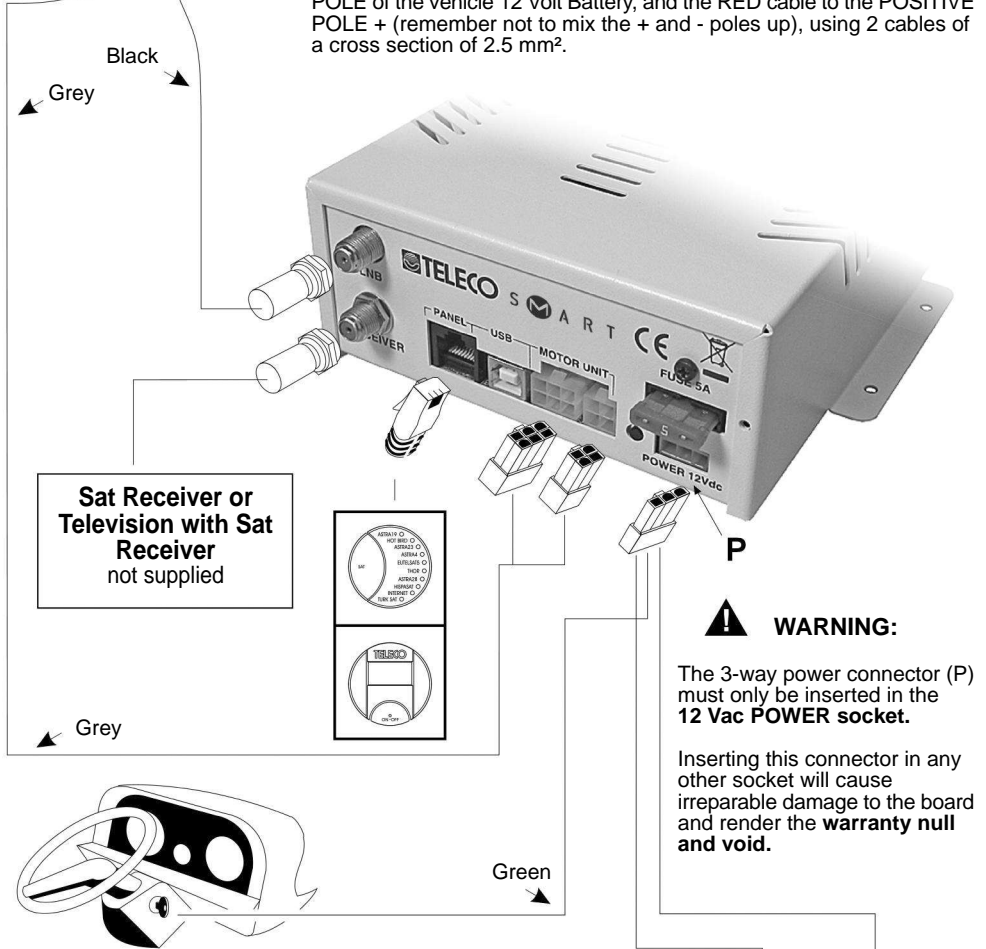
Connections



1) Connect the grey cable (motors) to the MOTOR UNIT connector and the Black coaxial cable (antenna) to the LNB connector of the Control unit.

2) Connect the Receiver or the TV with Receiver to the SAT RECEIVER connector. You can connect any satellite receiver.

3) Connect directly the BLACK cable of the Control unit to the NEGATIVE POLE of the vehicle 12 Volt Battery, and the RED cable to the POSITIVE POLE + (remember not to mix the + and - poles up), using 2 cables of a cross section of 2.5 mm².



4) The GREEN safety cable of the Control Unit must be connected to the consensus of the vehicle startup console (in many cases such consensus is located on Pin 15 in the main terminal board). In this way, whenever the motor is started, this cable receives a positive + 12 Vdc voltage, which will automatically lower the antenna and lock all functions of the Control Unit simultaneously.

⚠ WARNING

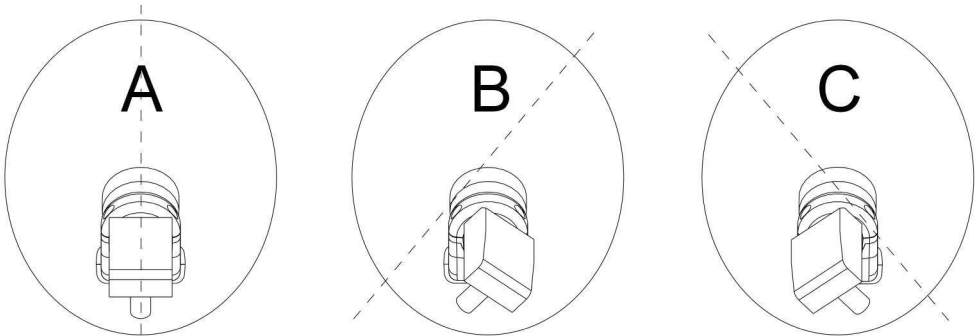
This technical note is to call the attention of the installation personnel to certain details of Flat Sat Classic Smart installation. During installation, you must take the following precautions:

The power supply cable must directly come from the battery and must have no junctions. Minimum cross section of the cable is 2,5 mm². For cable lengths equal to or above 6 metres, the minimum cross-section is 4 mm². Only the Flat Sat Classic Smart must be connected to this cable; all the other devices must be connected to another power supply cable. The cable connecting the driving unit to the Flat Sat Classic Smart Control unit must NEVER be cut for any reason whatsoever: should the cable turn out to be too long, wind the extra part into a coil in a free area of the vehicle. Leave a little cable in the driving unit area; should any technical operation be required, it will make it easier to remove the driving unit.

Failure to observe these instructions shall render the Warranty null and void.

LNB rotation for ideal signal reception in extreme (South-western or South-eastern) areas in Europe

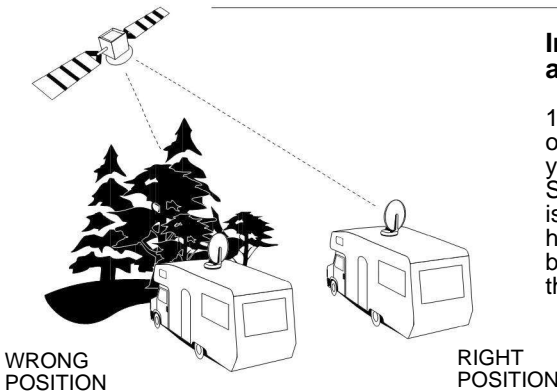
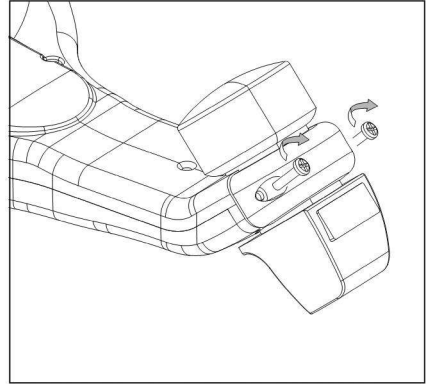
Please be reminded that your outside low-noise block converter (LNB) has its own special mounting position that must be maintained, otherwise you will be unable to receive any signals. The LNB pre-defined installation position is along the dish centre line (Fig. A): in this configuration, the Flat Sat Classic Smart system will operate correctly in most European countries. If, however, you happen to find yourselves very far from the orbital position of your required satellite, you may want to adjust your low-noise block converter angle. This is especially true if you wish to receive satellite signals from Astra 19E, Astra 28E or HotBird 13E and you are in Portugal or Morocco: you will then have to adjust the LNB angle as shown in fig. B, while if you happen to be in Turkey, to receive signals from the same satellites you will have to adjust your LNB to the position shown in fig. C.



Place	Position	HotBird 13E	Astra 19E	Astra 28E
Lisbona	B	25°	28°	37°
Casablanca	B	27°	34°	41°
Ankara	C	22°	15°	5°

LNB tilt adjustment

- 1) Loosen the LNB U-bolt locking screws
- 2) Turn in either the Clockwise (West) or the Anti-clockwise (South-East) direction
- 3) Lock the LNB again with the special screws



Important information for proper antenna tracking

- 1) Before performing antenna tracking operation, make sure you have positioned your vehicle so that the view towards the South (where Satellite signals come from) is free from any nearby obstacle (trees, houses, etc.). This way, the antenna will be free to receive signals coming from the satellite.

2) It is also important to know that satellites do not transmit with the same intensity throughout Europe, so if you are outside the reception area, your Flat Sat Classic Smart search might be unsuccessful. The reception areas for each Satellite can be found on the main magazines dealing in this line of business. Also remember that the larger the dish, the more reception area is available.

WRONG POSITION



RIGHT POSITION



Tips on the best use of Flat Sat Classic Smart

When you park your vehicle, make sure that:

- 1) No obstacle (for example trees) is too near your antenna, preventing it from moving freely. No metal or glass wall is very near (about 5 m) the antenna, since this would act as a mirror for satellite signals and could induce the antenna to stop towards it.
 - 2) Remove any snow or ice from the Flat Sat Classic Smart before actuating it in order to avoid wasting battery power trying to lift it.
 - 3) If you decide to turn the engine of your vehicle on in order to re-charge its batteries, with the safety cable connected to the ignition key, the antenna, if lifted, will come down automatically and it will not be possible to lift it again as long as the engine is running.
 - 4) Make sure that your batteries are always sufficiently charged, since, if the voltage falls below 10 Volts, the Flat Sat Classic Smart electronic safety circuit will prevent the antenna from rising.
 - 5) Should you use 12 Volt power supply instead of batteries, be careful to use stabilized power supply being able to provide 5 A continuously and at least 10 A for short periods. At all costs, avoid using low quality, non stabilized battery chargers.
 - 6) **It is recommended not to use the antenna under strong wind conditions (80 km/h). Failure to comply with this condition may result in product degradation which the manufacturer cannot be held responsible for.**
 - 7) **Antenna closing operations, whether by user's control or automatically for vehicle start-up, require variable time.
Before starting the vehicle, always make sure that the antenna is fully closed.**
 - 8) **If the vehicle on which the antenna is installed is loaded onto a train or truck, make sure it is loaded in the direction of travel of the train/truck that will be transporting it.
Failure to observe this precaution may cause the dish to lift and damage the antenna and/or vehicle.**
- * **The manufacturer declines any liability for all degradations suffered by the product owing to misuse.**

Flat Sat Classic Smart operation

The Flat Sat Classic Smart is a fully automatic satellite tracking system able to locate satellites that emit either a DVB-S or DVB-S2 signal.

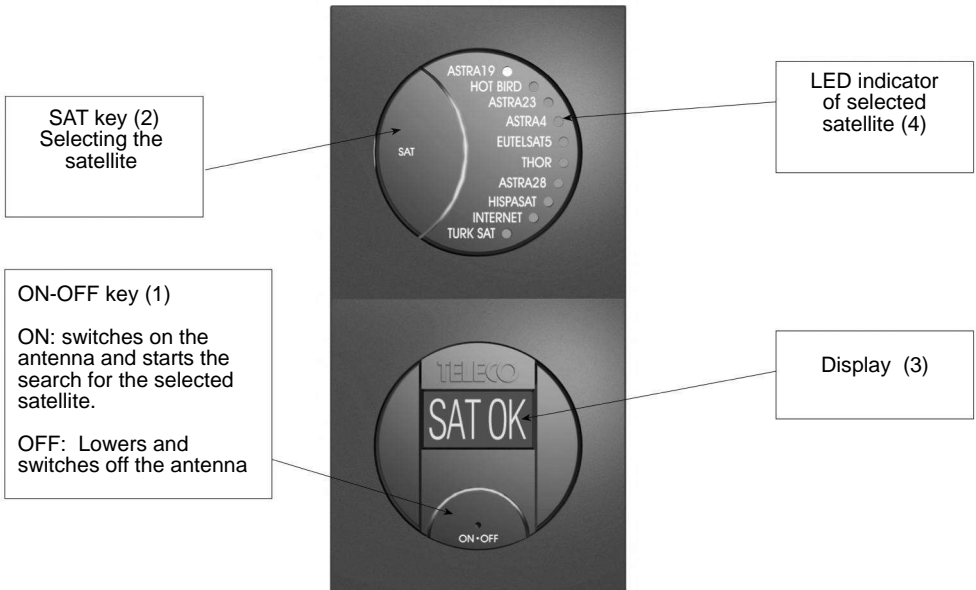
The Flat Sat Classic Smart features a “Smart” function (patent pending).

The Smart function

With the “Smart” function all the user has to do is select, via the remote control, the television programme he/she wishes to watch and the Flat Sat Classic Smart will automatically point the antenna at the satellite transmitting it. To use the “Smart” function the Flat Sat Classic Smart must be used in conjunction with one of the Teleco TY2/19D, TY2/22D, TY2/24 or TY2/32 televisions with incorporated satellite receiver; this allows the entire system to be piloted simply using just the TV remote control. The Flat Sat Classic Smart is also compatible with the Teleco Satellite Receiver model FORCE HD CI+D and with the official receivers of the following broadcasters: CanalDigitaal, TV Vlaanderen, HD Austria, Skylink, TélésAT Belgium and Luxemburg.

Flat Sat Classic Smart operation with TY2 TV

To control the Flat Sat Classic Smart you can use the remote control of your mod. TY2 TV with incorporated satellite receiver and the Control Panel illustrated below.



Control Panel standby

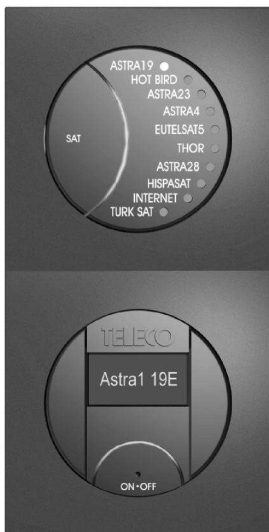
The Control Panel is intelligent: to limit electricity consumption it switches off all the LEDs and the Display a few seconds after the system remains idle. When the Control Panel is in standby mode, the key backlights, the LEDs and the Display are off. To exit standby mode just press the ON-OFF key (1) or the SAT key (2): the backlighting comes on and the Display indicates the antenna status.

Switching on the Flat Sat Classic Smart

First switch on the TY2 TV and then the Flat Sat Classic Smart system.
If the Control Panel is in standby press the ON/OFF key (1) to activate it.



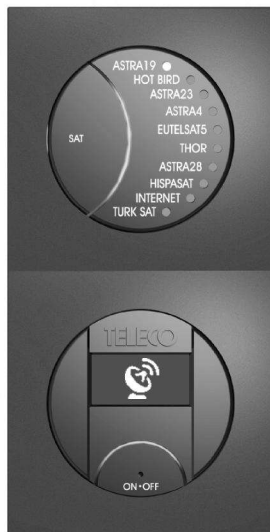
The backlighting comes on and the Display shows the camper icon with the antenna closed.



Press the ON-OFF key again (1) to switch on the Flat Sat Classic Smart system.

The Display (3) alternates the name of the selected satellite and an animation of the antenna in search mode.

The "Moving dish" message appears on the TV screen to indicate the antenna is searching for the satellite



When the search has been completed the Display (3) shows the "SAT OK" message; the antenna is pointed at the selected satellite and the TV shows the set programme.

During the search, after a certain time the "Moving dish" message disappears and the "No signal" message may appear; this remains on the screen until the satellite is located.

Selecting satellite TV programmes

The Flat Sat Classic Smart associates each programme, saved on the TV, with the satellite that transmits it and therefore every time the user changes channel with the remote control the system immediately checks which satellite is transmitting the programme and automatically positions the antenna accordingly; this takes only a short time. To check which satellite the antenna is pointed at just look at the panel and read the name of the satellite next to the LED that is on.

Warning: the TV has priority over the Control Panel; consequently, if the TV is on, the choice of channel cannot be forced. To force the choice of satellite you must switch off the TV and press the SAT key (2).

Note: every time a search is made the antenna automatically saves the coordinates of each successfully tracked satellite; this is to reduce waiting times in the event of a switch from one satellite to another or if the system is switched back on after the antenna has been parked. This saved data is deleted every time the vehicle engine is started (as long as the green safety wire is connected).

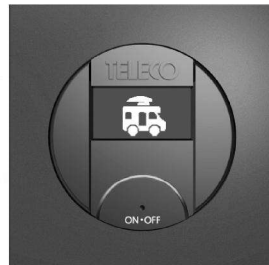
Switching off the Flat Sat Classic Smart

If the Control Panel is in standby press the ON/OFF key (1) to activate it. The backlighting comes on and the Display shows the satellite located message.

Press the ON-OFF key again (1) to park the Flat Sat Classic Smart system. The antenna starts to be lowered and the Display shows an animation of the antenna closing.



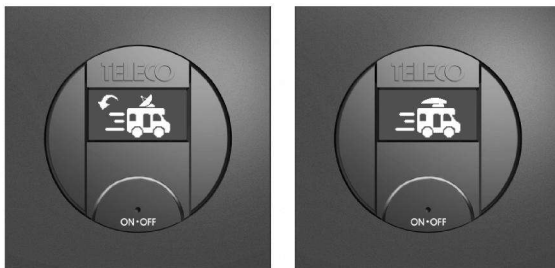
When the antenna has been completely closed the Display shows the camper icon with the antenna closed.



A few seconds later the Control Panel will revert to standby and all the LEDs will go out.

Automatic antenna parking with safety wire

If the vehicle engine is started with the antenna raised, the safety wire will immediately lower the dish. The Control Panel Display shows an animation of the camper on the move with the antenna closing.



When the antenna has been completely closed the icon with the camper on the move and the antenna closed remains on the Display. A few seconds later the Control Panel will revert to standby and all the LEDs will go out.

As long as the vehicle is on the move (engine on), the safety wire keeps the antenna locked in the parking position.

Flat Sat Classic Smart operation with Teleco and other receivers

The Flat Sat Classic Smart is also compatible with the TELECO Satellite Receiver model FORCE HD CI+D and with the official receivers of the M7 Group broadcasters: CanalDigitaal, TV Vlaanderen, HD Austria, Skylink, TéléSAT Belgium and Luxemburg. In this case the user will have to use 2 remote controls (one for the TV and one for the Receiver); the same functions already seen with operation of the TELECO mod TY2 TV will be available.

Error messages

In the event of faults or malfunctions the Control Panel indicates the corresponding error on the Display:



NO SAT: No satellite found. Check whether the Flat Sat Classic Smart system has any obstructions to the SOUTH of the Satellite.

Error EL

EL Error: The elevation motor is jammed. Make sure that no foreign objects are obstructing normal movement

Error AZ

AZ Error: The rotation motor is jammed. Make sure that no foreign objects are obstructing normal movement

Error 9

Error 9: During the switch-on stage a motor unit error occurred. Make sure that no foreign objects are obstructing normal movement

Troubleshooting

• If the Flat Sat Classic Smart has not found the satellite after a complete search, check the following:

- a) Is the view towards the South free from any obstacle?
- b) Is the place you are at within the reception area of the satellite you have chosen?
- c) Is the cable connecting the LNB to the antenna firmly fastened?
It could have been ripped off or come loose because of contact with an unexpected obstacle.
- d) Are all the connections on the Control unit properly set up?

• **If the antenna has stopped after performing tracking, but neither messages nor images appear on the screen:**

- a) Have you switched your receiver on ?
- b) Have you switched your TV set on ?
- c) Have you selected the right satellite ? Make sure that the services you wish to receive are really available on the required satellite.

• **If the Control panel does not turn on when you press the ON/OFF button, check the following:**

- a) Is the battery charged?
- b) Is the fuse on the power lead intact? Replace it with a 5A one of the same type.

Technical specifications

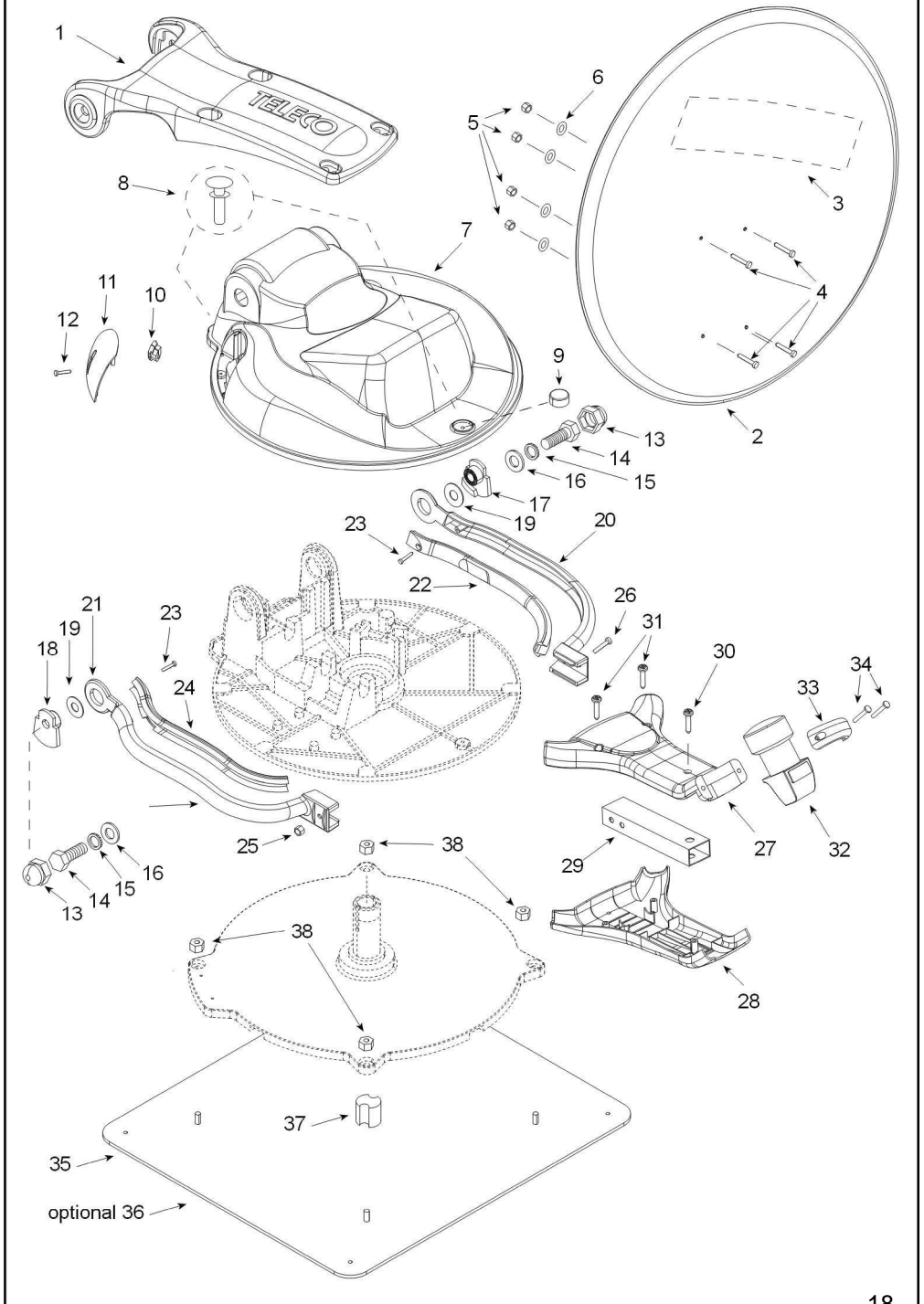
SPECIFICATIONS

Search system	Fully automatic, NID recognition according to the DVB-SI EN 300 468 specifications with DVBS2 tuner.
Satellites which can be set	10
Extensions	USB 1.0 Port Control panel

MISCELLANEA

Power supply	12 Vdc (10 - 15 Vdc)
Absorbed current	5 A max.
Current in stand-by	< 5 mA
Fuse	5 A
Dimensions	160 x 187 x 58 mm (Control unit) 119 x 22 x 60 mm (Control panel)
Weight (outside driving unit)	~ 1 kg (Control unit and Control panel) Flat Sat Classic Smart 65: ~ 9 kg. Flat Sat Classic Smart 85: ~ 10,8 kg

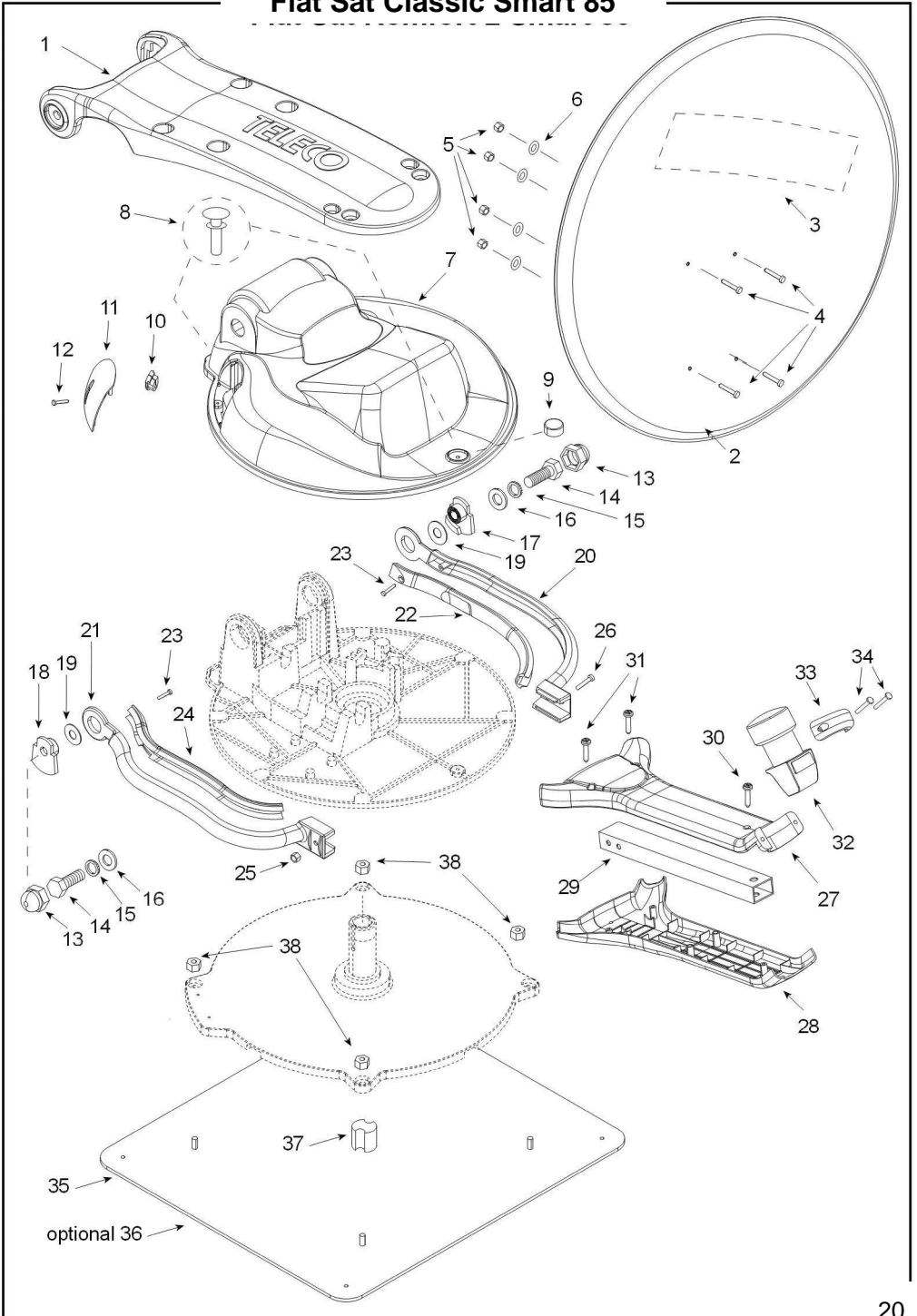
Flat Sat Classic Smart 65



Flat Sat Classic Smart 65 (14/11/2017)

Pos	Code	Q.ty	Description
1	11491	N.1	Dish support mast
2	10487	N.1	Parabolic antenna D=63.5x59 cm
3	15531	N.1	Flat Sat Easy Smart Dish sticker
4	10425	N.4	Screw M5X10
5	03685	N.4	Self-locking nut M5
6	15616	N.4	Flat washer D 5
7	10533	N.1	External unit cover
8	10442	N.2	Self-locking rivet SR-5105-W
9	11195	N.1	LNB rubber support
10	11008	N.1	Hole grommet
11	10534	N.1	External unit cover door
12	10384	N.1	Self-tapping screw M2.9x9.5
13	10490	N.2	Black plastic nut cover M10
14	10779	N.2	Screw M10x35
15	10778	N.2	Toothed washer D=10
16	10777	N.2	Flat washer D=10
17	10543	N.1	LNB mast right-hand insert
18	10544	N.1	LNB mast left-hand insert
19	13316	N.2	Flat washer D22x30x0,5
20	10903	N.1	LNB right-hand mast
21	10902	N.1	LNB left-hand mast
22	10541	N.1	LNB mast right-hand cable cover
23	10781	N.2	Self-tapping screw M2.9x9.5
24	10542	N.1	LNB mast left-hand cable cover
25	09015	N.1	Nut M5
26	03682	N.1	Screw M5x40
27	18518	N.1	LNB tube cover top
28	18519	N.1	LNB tube cover bottom
29	18563	N.1	LNB holder tube
30	10408	N.1	Self-tapping screw M3.9x22
31	10782	N.2	Self-tapping screw M3.9x25
32	16992	N.1	LNB Stark ST1
33	10283	N.1	LNB stop U-bolt
34	11087	N.2	Screw M4x16
35	10693	N.1	Base fixing 45x40 plate
36	10395	N.1	Base fixing 60x60 plate
37	11162	N.1	Plastic cable-locking split pin
38	03684	N.4	Self-locking nut M6

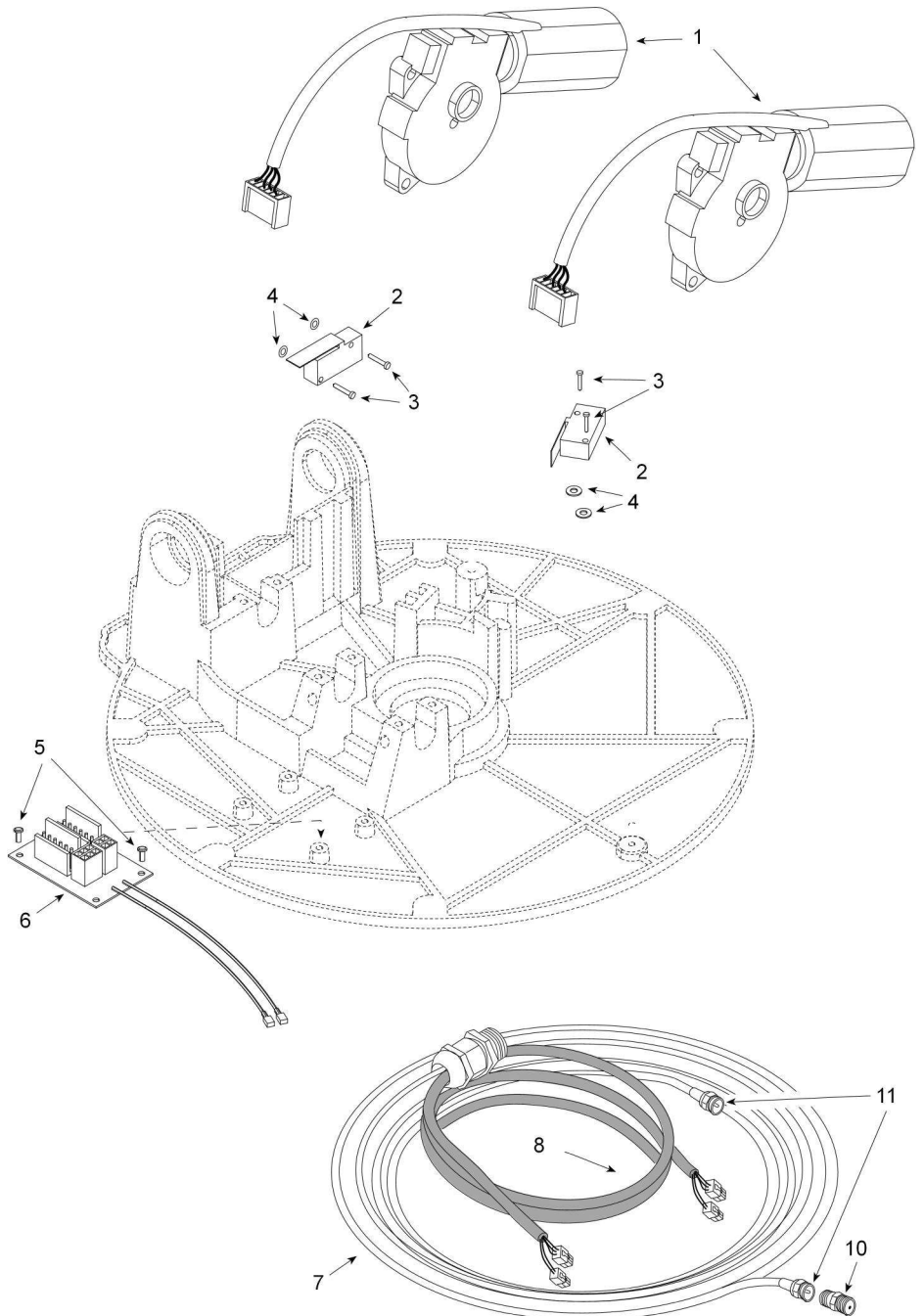
Flat Sat Classic Smart 85



Flat Sat Classic Smart 85

Pos	Code	Q.ty	Description
1	11440	N.1	Dish support mast
2	10488	N.1	Parabolic antenna D=85x78 cm
3	17107	N.1	Flat Sat Easy Smart Dish sticker
4	10910	N.4	Screw M6X12
5	03684	N.4	Self-locking nut M6
6	15617	N.4	Flat washer D 6
7	10533	N.1	External unit cover
8	10442	N.2	Self-locking rivet SR-5105-W
9	11195	N.1	LNB rubber support
10	11008	N.1	Hole grommet
11	10534	N.1	External unit cover door
12	10384	N.1	Self-tapping screw M2.9x9.5
13	10490	N.2	Black plastic nut cover M10
14	10779	N.2	Screw M10x35
15	10778	N.2	Toothed washer D=10
16	10777	N.2	Flat washer D=10
17	10531	N.1	LNB mast right-hand insert
18	10532	N.1	LNB mast left-hand insert
19	13316	N.2	Flat washer D22x30x0,5
20	10903	N.1	LNB right-hand mast
21	10902	N.1	LNB left-hand mast
22	10541	N.1	LNB mast right-hand cable cover
23	10781	N.2	Self-tapping screw M2.9x9.5
24	10542	N.1	LNB mast left-hand cable cover
25	09015	N.1	Nut M5
26	03682	N.1	Screw M5x40
27	18521	N.1	LNB tube cover top
28	18522	N.1	LNB tube cover bottom
29	18564	N.1	LNB holder tube
30	10408	N.1	Self-tapping screw M3.9x22
31	10782	N.2	Self-tapping screw M3.9x25
32	16992	N.1	LNB Stark ST1
33	10283	N.1	LNB stop U-bolt
34	11087	N.2	Screw M4x16
35	10693	N.1	Base fixing 45x40 plate
36	10395	N.1	Base fixing 60x60 plate
37	11162	N.1	Plastic cable-locking split pin
38	03684	N.4	Self-locking nut M6

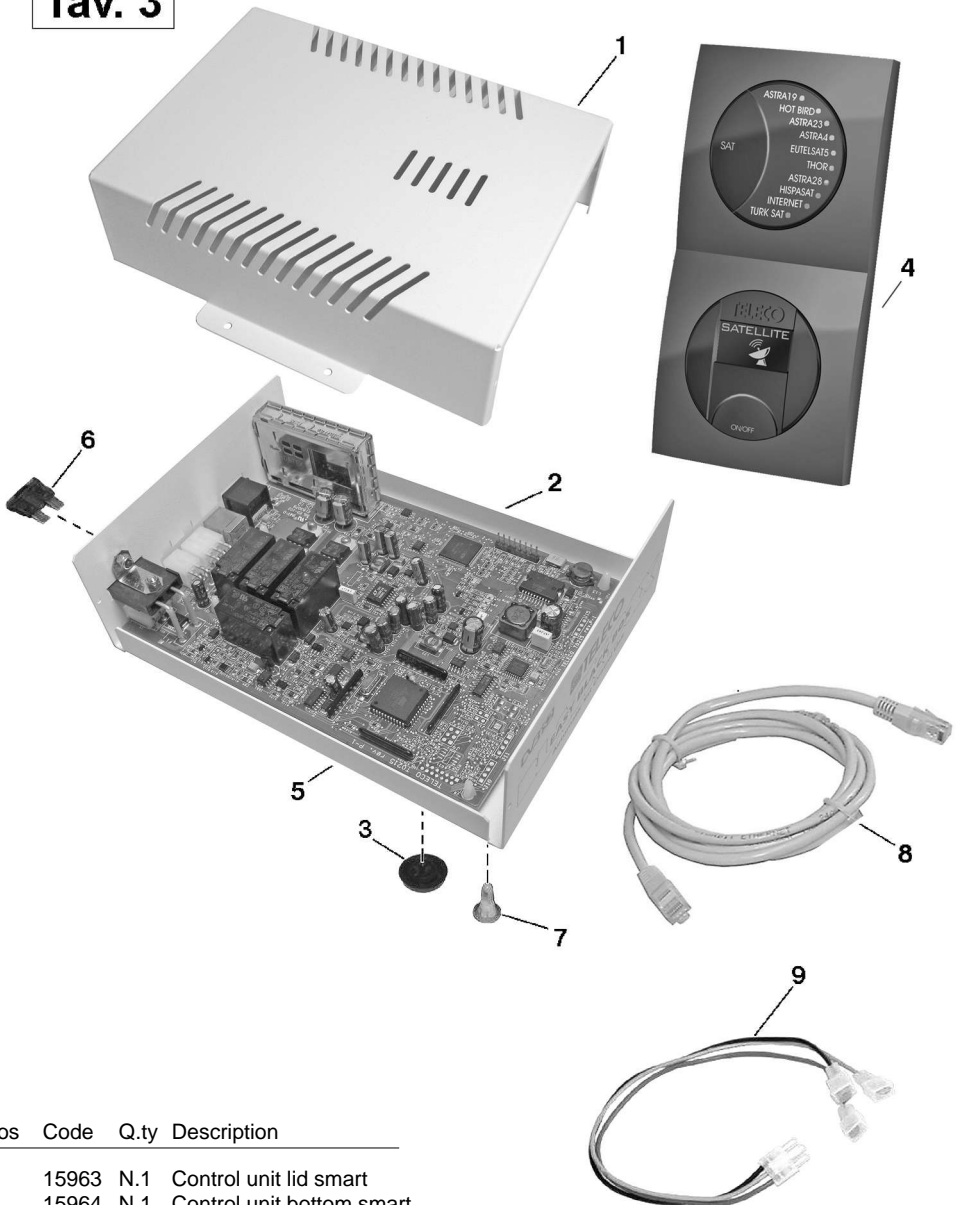
Tav.2



TAV. 2

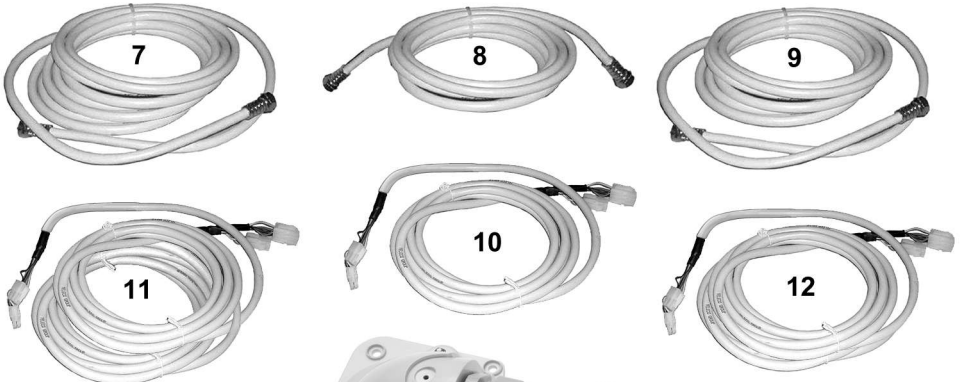
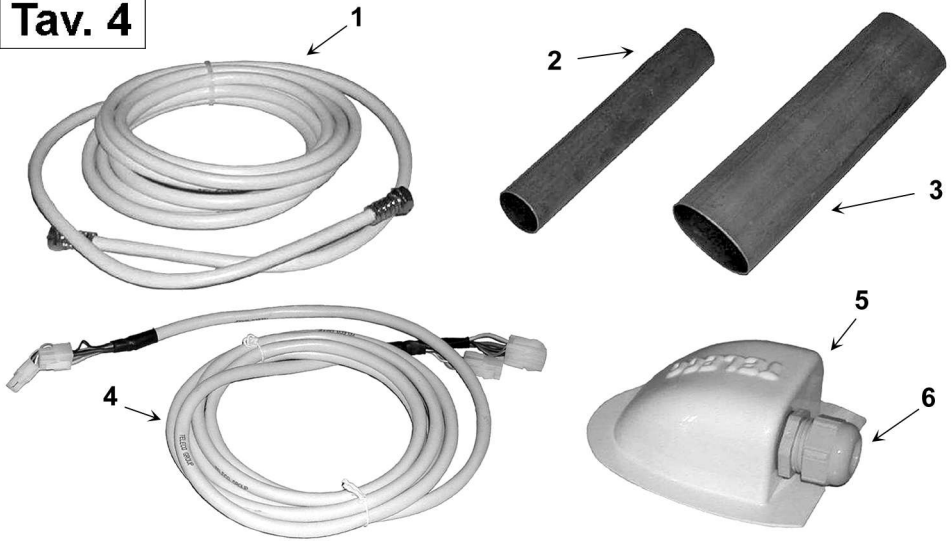
Pos	Code	Q.ty	Description
1	11161	N.2	Electric motor
2	04761	N.2	Waterproof microswitch
3	05086	N.4	Screw M3x20
4	06817	N.4	Flat washer D=3
5	11088	N.2	Screw M4x8
6	12945	N.1	Connector strip
7	05807	MT.3,6	Coax cable RG 58
8	12294	N.1	10-pole 2.5 m Motor cable + PG21 x 2 cables
10	03280	N.1	FF13 double female jack
11	15077	N.2	F50 F connector

Tav. 3

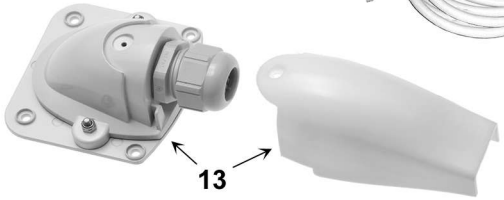


Pos	Code	Q.ty	Description
1	15963	N.1	Control unit lid smart
2	15964	N.1	Control unit bottom smart
3	09835	N.4	Black rubber foot
4	15860	N.1	Control panel
5	16553	N.1	T0215 board smart
6	09705	N.1	5A Fuse
7	01458	N.4	Support
8	11742	N.1	PATCH UTP Cable
9	09318	N.1	Power supply cable

Tav. 4



OPTIONAL



Pos	Code	Q.ty	Description
1	05950	N.1	3 m coax cable F/F.connector
2	03598	N.1	Shrink-wrap sheath
3	03597	N.1	Shrink-wrap sheath
4	09300	N.1	10-core 3 m engine unit cont. cable w/connector
5	10969	N.1	White abs cable cover
6	13190	N.1	PG21 complete with gasket for 2 cables
7	07883	N.1	Coax cable extension - 9 m with F/F.connector
8	08998	N.1	Coax cable extension - 2 m with F/F.connector
9	07294	N.1	Coax cable extension - 5 m with F/F.connector
10	09765	N.1	1 Engine connect 4+6 pole cable extension - 2 m with connect.
11	09302	N.1	Engine connect 4+6 pole cable extension - 9 m with connect.
12	09301	N.1	Engine connect 4+6 pole cable extension - 5 m with connect.
13	11109	N.1	professional aluminium fairlead complete with PG 21 with gasket for 2 cables



CONFORMITY CERTIFICATE

The manufacturer Teleco Spa

Via Majorana nr. 49, 48022 Lugo (RA)
Declares under its own responsibility that the following products:

Flat Sat Classic Smart 65
Flat Sat Classic Smart 85

which are the subject of this certificate, conform to the following norms:

EN 60065: 2002
EN 55013: 2001 + A1: 2003
EN 61000 – 3 - 2: 2000 + A2: 2005
EN 61000 – 3 – 3: 1995 + A1: 2001 + A2: 2005
EN 55020: 2002 + A2: 2005

according to the terms of the European directive 2006/95/EC
Low Voltage (modified by 93/68/CEE) and
2004/108/CEE of Electromagnetic Compatibility
(modified by 92/31/CEE e 93/68/CEE) of the European Parliament.

Lugo 27 / 11 / 2017

THE PRESIDENT

Ing. Raul Fabbri



Group
TELECO



 **TELECO** SPA
ITALY

Via E. Majorana 49
48022 LUGO (RA)
Tel. + 39 0545 25037
Fax. + 39 0545 32064
mail: info@telecogroup.com
www.telecogroup.com
Assistenza 899 899 856

 **TELECO** GmbH
DEUTSCHLAND

82041 Deisenhofen
Tel. 08031 98939
Fax 08031 98949
telecogmbh@telecogroup.com
www.telecogroup.com

 **TELECO** SAS
FRANCE

3, Impasse des Iles
ZA La Maladière
07300 St Jean de Muzols
mail: contact@telecogroup.fr
www.telecogroup.fr

 **Telair** SRL
ITALY

Via E. Majorana 49
48022 LUGO (RA)
Tel. + 39 0545 25037
Fax. + 39 0545 32064
mail: telair@telecogroup.com
www.telecogroup.com

IN EUROPE:

GREAT BRITAIN - SCAN TERIEUR LTD
30, The Metro Centre, Tolpits Lane - Watford,
Herts - England - WD18 9XG
Tel. 01923 800353 - Fax 01923 220358
e-mail: info@scan-terieur.com
www.scan-terieur.com

THE NETHERLANDS/BELGIUM/LUXEMBOURG/DENMARK/SWEDEN
KARMAN TRADING
Tel. +31 (0) 341 722450 - Fax +31 (0) 341 722451
e-mail: info@karmanttrading.eu
www.karmanttrading.eu

FRANCE - TELECO SAS
3, impasse des Iles - ZA La Maladière
07300 St Jean de Muzols - France
Tél. 04 75 08 49 17 - Fax 09 70 32 83 00
contact@telecogroup.fr
www.telecogroup.fr

SERVICE COMMERCIAL :
Jean-Philippe Bleyes
Tél. 02 48 58 03 67 Fax 02 48 58 35 85
teleco.telair@bleysetd.com

Service Technique :
Tél. 06 83 31 44 05 ou 04 75 08 28 25
www.techmobilefrance.com

ESPAÑA - ADD SICMAP S.L.
EVA Caravan - Via Sergia 92 - Pol. Ind. Pla d'en Boet II
08302 MATARÓ (Barcelona)
Tel. 93 790 35 26 - Fax. 93 796 21 17
info@addsicmap.com

Servicio técnico: Fills de Rocha i Lopez, S.L. - C/Goya,4
08903 L'Hospitalet de Llobregat - Barcelona - España
Tel. 933 333 753 - Fax 933 337 236
fillsrocha@fillsrocha.com

ÖSTERREICH - TELECO GmbH
82041 Deisenhofen - Deutschland
Tel. 0049 8031 98939 - Fax. 0049 8031 98949
telecogmbh@telecogroup.com
www.telecogroup.com
SERVICE 0900 94 94 70

DEUTSCHLAND - TELECO GmbH
82041 Deisenhofen - Deutschland
Tel. 08031 98939 - Fax 08031 98949
telecogmbh@telecogroup.com
www.telecogroup.com
Vertretung:
ZIMMER
Ziegenhainer Str. 7 - 34626 Neukirchen
Tel. 06694-9108000 - Fax 06694-9108008
info@zimmer-mobiltechnik.de
www.zimmer-mobiltechnik.de
SERVICE 08921129997

 Kundendienst beim
ausgewählten
Bosch Service!



[www.facebook.com/pages/
Telecogroup/213241202111442](http://www.facebook.com/pages/Telecogroup/213241202111442)

Foto e disegni non contrattuali - Les photos et les dessins ne sont donnés qu'à titre
indicatif - We reserve the right to make technical changes without prior notice -
Fotos und Zeichnungen nicht vertraglich - Foto's en tekeningen niet contractueel -
Fotos y planos no indicados en contrato